

200ML BiPack

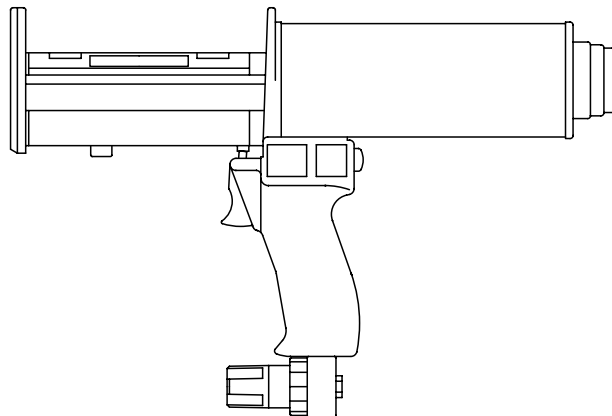


Integrated Dispensing Solutions

Integrated Dispensing Solutions

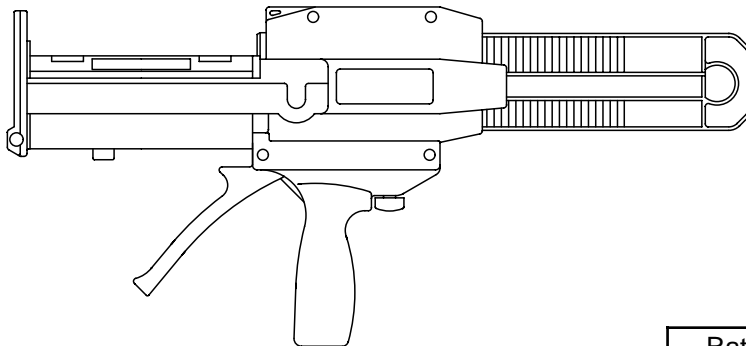
200 ML BiPack System

Dispensers - Pneumatic



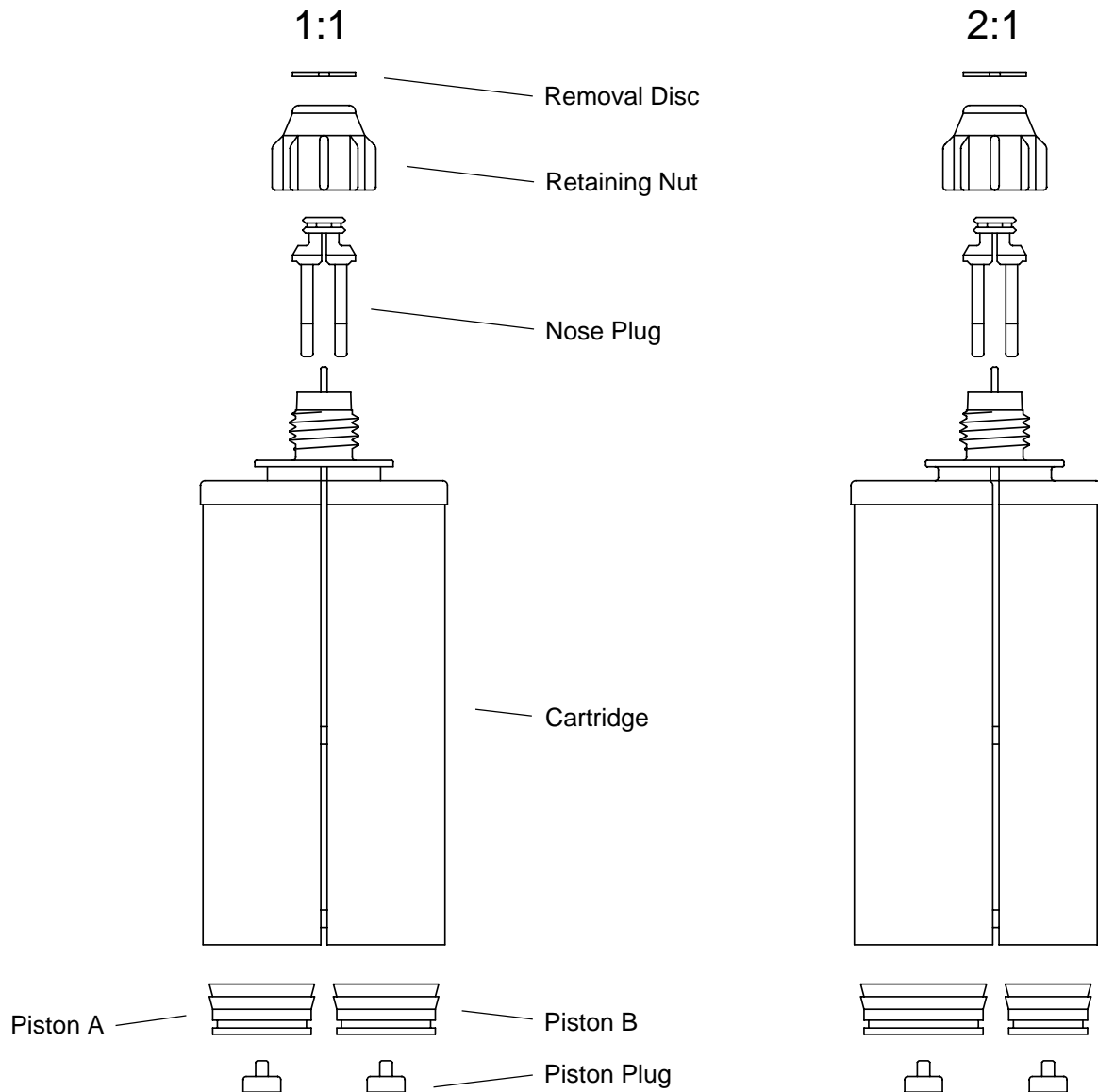
Ratio	Operating Pressure	Part Number
1:1 & 2:1	73 psi	DP 200-70-01
4:1	73 psi	DP 200-70-04
10:1	73 psi	DP 200-70-10

Dispensers - Manual

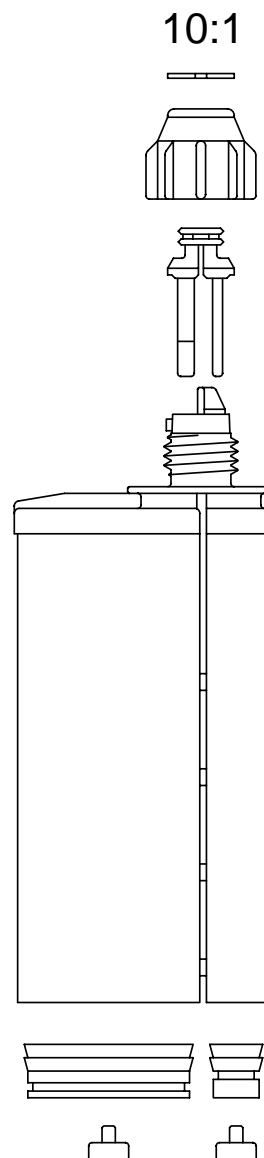
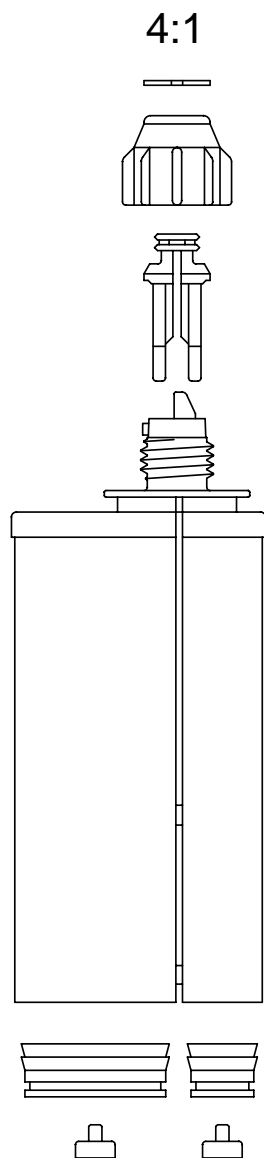


Ratio	Part Number
1:1 & 2:1	DM 200-01
4:1	DM 200-04
10:1	DM 200-10

Integrated Dispensing Solutions



Volumetric Ratio	1:1		2:1	
Capacity (max.)	210 ml		215 ml	
Material of Construction	PP	PA6 (Nylon)	PP	
Cartridge	CD 200-01-14	CD 201-01-18	CD 200-02-14	
Piston A	PA 220-01-11	PA 221-01-28	PA 220-02-11	
Piston B	(Piston A & B)	(Piston A & B)	PB 220-02-11	
Piston Plug	PP 001-21	PP 001-21	PP 001-21	
Nose Plug	SL 002-01-23	SL 002-01-24	SL 002-01-23	
Retaining Nut (Nom. Dia. 3/16" to 3/8")	UM 10-PP	UM 10-PP	UM 10-PP	
Retaining Nut (Nom. Dia. 1/2" only)	UM 13-PP	UM 13-PP	UM 13-PP	
Removal Disc	RD 001-00	RD 001-00	RD 001-00	



Volumetric Ratio	4:1		10:1	
Capacity (max.)	225 ml		250 ml	
Material of Construction	PP		PP	PBT *
Cartridge	CD 200-04-14		CD 200-10-A1	CD 200-10-A2
Piston A	PA 220-04-11		PA 220-10-11	PA 221-10-28
Piston B	PB 220-04-11		PB 220-10-11	PB 221-10-28
Piston Plug	PP 001-21		PP 001-21	PP 001-21
Nose Plug	SL 002-04-23		SL 202-10-23	SL 202-10-24
Retaining Nut (Nom. Dia. 3/16" to 3/8")	UM 10-PP		UM 10-PP	UM 10-PP
Retaining Nut (Nom. Dia. 1/2" only)	UM 13-PP		UM 13-PP	UM 13-PP
Removal Disc	RD 001-00		RD 001-00	RD 001-00

* Material: Polyester (PBT)

Integrated Dispensing Solutions

Static Mixers MC - Style for Ratios 1:1 & 2:1

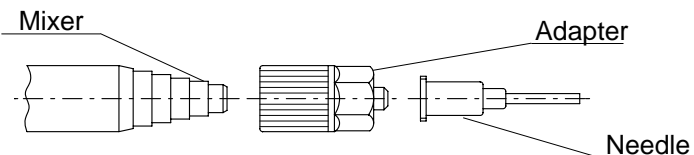
Nominal I.D. inch	Inner Dia. I.D. inch	Outer Dia. O.D. inch	Length L inch	Approx. Content Vol. ml	Number of Elements	Part Number
3/16	.197	.315	4.72	2.1	18	MC 05-18
3/16	.197	.315	5.87	2.3	24	MC 05-24
3/16	.197	.315	7.40	2.8	32	MC 05-32
1/4	.248	.394	5.87	3.6	18	MC 06-18
1/4	.248	.394	7.32	4.2	24	MC 06-24
1/4	.248	.394	9.25	6.6	32	MC 06-32
5/16	.315	.472	6.93	6.7	18	MC 08-18
5/16	.315	.472	8.78	8.5	24	MC 08-24
5/16	.315	.472	11.30	11.5	32	MC 08-32
3/8	.394	.551	8.42	12.3	18	MC 10-18
3/8	.394	.551	10.87	14.6	24	MC 10-24
3/8	.394	.551	13.86	21.8	32	MC 10-32
1/2	.512	.669	6.69	15.5	12	MC 13-12
1/2	.512	.669	9.09	21.0	18	MC 13-18
1/2	.512	.669	11.53	27.3	24	MC 13-24
1/2	.512	.669	14.92	35.4	32	MC 13-32

Static Mixers MCX - Style for Ratios 4:1 & 10:1

5/16	.315	.472	7.16	6.4	18	MCX 08-18
5/16	.315	.472	9.05	9.3	24	MCX 08-24
3/8	.394	.551	6.14	9.6	12	MCX 10-12
3/8	.394	.551	8.46	11.9	18	MCX 10-18
3/8	.394	.551	10.83	16.2	24	MCX 10-24
1/2	.512	.669	7.56	11.6	12	MCX 13-12

Luer Lock Adapters

(for Mixers Nominal Dia. 3/16" to 3/8" only)



Mixer Nom. Diameter	Part Number	Color
3/16"	LA 05-00	white
1/4" & 5/16"	LA 06-08	grey
3/8"	LA 10-00	black