



**Integrated Dispensing Solutions • 5311 Derry Avenue • Building D  
Agoura Hills CA 91301 • Ph (818) 597-4300 • Fax (818) 597-4301  
Email: [service@dispensinglink.com](mailto:service@dispensinglink.com)**

## **IntelliSpense™ PolyCarb Syringe**



The *IntelliSpense™* PolyCarb Syringe barrel is made from crystal-clear polycarbonate and features an ABS push rod. This syringe can withstand significant pressure, allowing

for rapid dispensing of viscous fluids under even the most vigorous conditions. IDS Polycarbonate syringes are used to facilitate administration or withdrawal of fluids and are *especially effective* when used with a Syringe Pump. No matter what the use, polycarbonate syringes make working with fluids easier.

The *IntelliSpense™* PolyCarb Syringe Barrel is shatter-resistant and perfectly clear, which in turn makes it very easy to detect air bubbles and fluid levels. The syringes are certified to be latex-free (to avoid potential cross contamination) and are naturally resistant to most fluids\*. There is a lubricant, **Polydimethylsiloxane** (PDMS), which is a widely used silicon-based organic polymer, known for its unusual rheological (or flow) properties. Its applications range from medical devices to lubricating oils and heat resistant tiles. PDMS is optically clear, and is generally considered to be inert, non-toxic and non-flammable. These syringes are available in 3, 6, 10, 20, 30 and 60 ml/cc sizes dimensions below.

Graduations of 0.01ml and numerical markings at each 0.1ml ensure accuracy of deposits. The enlarged barrel diameter makes the syringe easy to handle, and an integral Luer Lock hub gives an extremely secure, leak-proof fit. The *IntelliSpense™* PolyCarb Syringe is latex-free, and is supplied in bulk, non-sterile packaging.

All *IntelliSpense™* PolyCarb Syringes are available with a luer lock hub, which will not easily break or leak and which will work with any of our *IntelliSpense* brand needles or tips. The polyethylene plunger and tip caps are yellow color-coded to differentiate them from our *IntelliSpense™* Polyethylene Industrial Syringes.

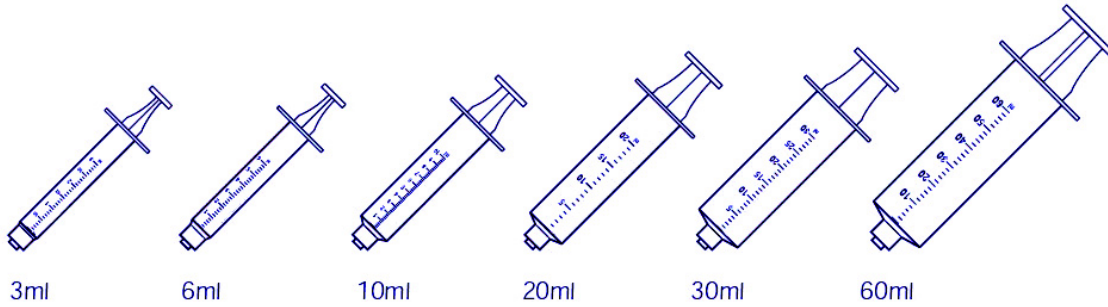
### **Features**

- Smooth piston/barrel interface makes easy low pressure deposits
- Finger grips provide more control over delivery
- Air tight luer-lock connection decreases leaks
- The detection of air bubbles and fluid levels is made simpler
- Plunger travel in the syringe barrel is extremely smooth and effortless

**Caution:** polycarbonate can be destroyed by **Cyanoacrylate**.

[www.dispensinglink.com](http://www.dispensinglink.com)

**The IntelliSpense™ PolyCarb Syringe (continued)**



**IntelliSpense™ PolyCarb Syringe Specifications**

<b>Syringe Size (CC/ML)</b>	<b>A Total Length</b>	<b>B Outside Diameter</b>	<b>C Inside Diameter</b>	<b>D Tab Length</b>	<b>E Tab Width</b>
<b><u>3</u></b>	3 1/8"	13/16"	5/16"	11/16"	11/16"
<b><u>6</u></b>	3 5/16"	5/8"	1/2"	1 7/16"	1 11/16"
<b><u>10</u></b>	3 1/2"	3/4"	5/8"	1 1/2"	13/16"
<b><u>20</u></b>	3 3/4"	7/8"	3/4"	1 5/8"	1"
<b><u>30</u></b>	4 1/16"	1"	5/16"	1 13/16"	1 1/8"
<b><u>60</u></b>	5 5/8"	1 3/16"	1 1/16"	2 1/8"	1 1/4"

**Note:** Polycarbonates are not **considered safe** for some materials, including Acetone, Acrylonitrile, Ammonia, Amyl acetate, Benzene, Bromine, Butyl acetate, Sodium hydroxide, Chloroform, Dimethylformamide, Concentrated hydrochloric acid, concentrated hydrofluoric acid, Iodine, Methanol, Methyl ethyl ketone, Styrene, Tetrachloroethylene, Toluene, Concentrated sulfuric acid, Xylene, or Cyanoacrylate monomers. This list is not meant to be definitive or all-inclusive.

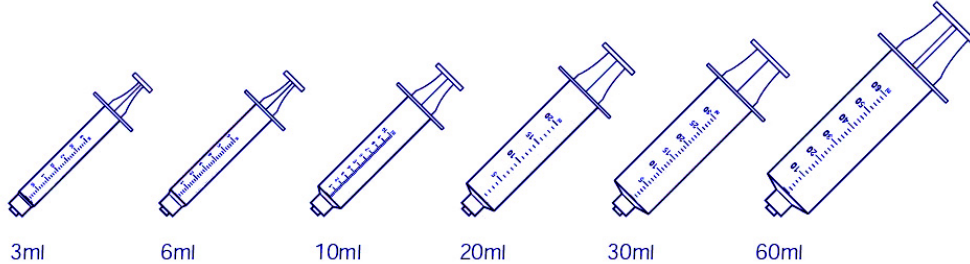
*Users must determine suitability for their own materials.*

Integrated Dispensing Solutions • 5311 Derry Avenue • Building D  
Agoura Hills CA 91301 • Ph (818) 597-4300 • Fax (818) 597-4301

Email: [service@dispensinglink.com](mailto:service@dispensinglink.com)

## The IntelliSpense™ PolyCarb Syringe (continued)

Ordering Information - IDS Part Numbers



### Part #

### PolyCarb Luer Lock Syringe

<b>9991330PC</b>	3cc/ml PolyCarb Luer Lock Syringe - Box of <b>25</b>
<b>9991331PC</b>	5cc/ml PolyCarb Luer Lock Syringe - Box of <b>25</b>
<b>9991332PC</b>	10cc/ml PolyCarb Luer Lock Syringe - Box of <b>25</b>
<b>9991333PC</b>	20cc/ml PolyCarb Luer Lock Syringe - Box of <b>25</b>
<b>9991334PC</b>	30cc/ml PolyCarb Luer Lock Syringe - Box of <b>25</b>
<b>9991335PC</b>	60cc/ml PolyCarb Luer Lock Syringe - Box of <b>25</b>

### Part #

### PolyCarb Luer Slip Syringe\*

<b>9991338PC</b>	3cc/ml PolyCarb Luer Slip Syringe - Box of <b>25</b>
<b>9991339PC</b>	5cc/ml PolyCarb Luer Slip Syringe - Box of <b>25</b>
<b>9991340PC</b>	10cc/ml PolyCarb Luer Slip Syringe - Box of <b>25</b>
<b>9991341PC</b>	20cc/ml PolyCarb Luer Slip Syringe - Box of <b>25</b>
<b>9991342PC</b>	30cc/ml PolyCarb Luer Slip Syringe - Box of <b>25</b>
<b>9991343PC</b>	60cc/ml PolyCarb Luer Slip Syringe - Box of <b>25</b>

**\*Note:** Slip luer connectors are available upon special request only.  
Please allow up to six weeks for delivery.

### Part #

### PolyCarb Tip Caps and Adapters

<b>9991329PC</b>	Yellow Luer Lock Tip Cap ( <b>Box of 50</b> )
<b>CMF3456</b>	Finger Snap Luer Lock Ring, Clear PolyCarb
<b>CMF3458</b>	Female Luer Lug Style Coupler, Clear PolyCarb
<b>CMF3459</b>	Female Luer Lug Style Elbow, Clear PolyCarb
<b>CMF3465</b>	Female Luer Thread Style Coupler, Clear PolyCarb
<b>CMF3466</b>	Female Luer Thread Style Elbow, Clear PolyCarb
<b>CMF3467</b>	Female Luer Thread Style Cap, Clear PolyCarb
<b>CMF3469</b>	Female Luer Lug Style Cap with Tether Loop, Clear
<b>CMF3470</b>	Female Luer Lug Style Tee, Clear PolyCarb
<b>CMF3486</b>	Male Luer Coupler (may be used with CMF3456)
<b>CMF3491</b>	Male Luer Slip Coupler, Clear Polycarbonate
<b>CMF3498</b>	Male Luer Plug, Closed at Tether Loop